

Pipe uPVC, Gutter & Fittings Manufacturer



PiPAMAS



SARANA KEHIDUPAN BERKUALITAS



KATALOG PRODUK

Sarana Penyaluran Air Bersih dan Air Kotor
Untuk Kebutuhan Air Yang Lebih Baik



Pipamas JIS uPVC

JIS K-6742

Pipamas Putih uPVC

CLASS	Diameter Nominal	Outside Diameter	Wall Thickness
AW	½	22 mm	2.40 mm
	¾	26 mm	2.50 mm
	1	32 mm	2.60 mm
	1¼	42 mm	2.70 mm
	1½	48 mm	3.10 mm
	2	60 mm	3.50 mm
	2½	76 mm	3.60 mm
	3	89 mm	4.50 mm
	4	114 mm	5.20 mm
	5	140 mm	5.70 mm
	6	165 mm	7.50 mm
	8	216 mm	9.00 mm
10	267 mm	9.60 mm	
12	318 mm	12.0 mm	
D	1¼	42 mm	1.30 mm
	1½	48 mm	1.60 mm
	2	60 mm	1.70 mm
	2½	76 mm	2.00 mm
	3	89 mm	2.50 mm
	4	114 mm	2.70 mm
	5	140 mm	3.60 mm
	6	165 mm	3.70 mm
	8	216 mm	5.00 mm
	10	267 mm	7.00 mm
12	318 mm	8.00 mm	
C	⅝	17 mm	0.80 mm
	½	22 mm	1.10 mm
	¾	26 mm	1.40 mm
	1	32 mm	1.40 mm
	2	60 mm	1.40 mm
	2½	76 mm	1.40 mm
	3	89 mm	1.40 mm
	4	114 mm	1.40 mm

CLASS	Diameter Nominal	Outside Diameter	Wall Thickness
AW	½	22 mm	1.60 mm
	¾	26 mm	1.90 mm
	1	32 mm	2.00 mm
	1¼	42 mm	2.20 mm
	1½	48 mm	2.30 mm
	2	60 mm	2.40 mm
	2½	76 mm	2.60 mm
	3	89 mm	3.15 mm
	4	114 mm	4.10 mm
	5	140 mm	5.50 mm
	6	165 mm	6.50 mm
	8	216 mm	7.70 mm
10	267 mm	9.60 mm	
12	318 mm	12.0 mm	
D	1¼	42 mm	1.30 mm
	1½	48 mm	1.40 mm
	2	60 mm	1.50 mm
	2½	76 mm	1.60 mm
	3	89 mm	1.70 mm
	4	114 mm	2.20 mm
	5	140 mm	2.70 mm
	6	165 mm	3.20 mm
	8	216 mm	4.20 mm
	10	267 mm	5.40 mm
12	318 mm	6.50 mm	
C	⅝	17 mm	0.80 mm
	½	22 mm	1.10 mm
	¾	26 mm	1.40 mm
	1	32 mm	1.40 mm
	2	60 mm	1.40 mm
	2½	76 mm	1.40 mm
	3	89 mm	1.40 mm
	4	114 mm	1.40 mm

Pipamas HDPE	Ukuran		Panjang	PN-16	PN-12.5	PN-10	PN-8 *Panjang (6)	PN-6.3 *Panjang (6)
	mm	inch						
	20	½	250 m	2.0 mm	1.9 mm	1.8 mm	-	-
	25	¾	250 m	2.3 mm	2.2 mm	2.0 mm	-	-
	32	1	250 m	3.0 mm	2.4 mm	2.2 mm	-	-
	40	1¼	100 m	3.7 mm	3.0 mm	2.4 mm	-	-
	50	1½	100 m	4.6 mm	3.7 mm	3.0 mm	-	-
	63	2	100 m	5.8 mm	4.7 mm	3.8 mm	3.0 mm	-
	75	2½	50 m	6.8 mm	5.6 mm	4.5 mm	3.6 mm	-
	90	3	50 m	8.2 mm	6.7 mm	5.4 mm	4.3 mm	3.5 mm
	110	4	6 m	10.0 mm	8.1 mm	6.6 mm	5.3 mm	4.2 mm
	125	5	6 m	11.4 mm	9.2 mm	7.4 mm	6.0 mm	4.8 mm
	160	6	6 m	14.6 mm	11.8 mm	9.5 mm	7.7 mm	6.2 mm



Fitting uPVC

KELAS AW

<p>AW Elbow</p>  <p>Ukuran ½ ¾ 1 1¼</p>	<p>AW Tee</p>  <p>Ukuran ½ ¾ 1 1¼ 1½ 2 2½</p>	<p>AW Socket</p>  <p>Ukuran ½ ¾ 1 1¼</p>	<p>AW Reducer Socket</p>  <p>Ukuran ¾ x ½ 1 x ½ 1 x ¾</p>	<p>AW Valve Socket</p>  <p>Ukuran ½ ¾ 1 1¼ 1½ 1¾</p>	<p>AW Faucet Socket</p>  <p>Ukuran ½ ¾ 1 1¼</p>	<p>AW Faucet Elbow</p>  <p>Ukuran ½</p>
<p>AW Faucet Tee</p>  <p>Ukuran ½</p>	<p>AW R-Valve Socket</p>  <p>Ukuran ¾ x ½ 1 x ½ 1 x ¾</p>	<p>AW Cap</p>  <p>Ukuran ½ ¾ 1</p>	<p>Union Socket</p>  <p>Ukuran ¾</p>	<p>Water Moor</p>  <p>Ukuran ½ ¾ 1 1 x ¾</p>	<p>Elbow</p>  <p>Ukuran 1½ 2 2½ 3</p>	<p>Spear Valve Socket</p>  <p>Ukuran 1¼</p>

KELAS D

<p>D Inceaser</p>  <p>Ukuran 3x2 4x3</p>	<p>D Cap/Dop</p>  <p>Ukuran 2 2½ 3 4</p>	<p>D Knee</p>  <p>Ukuran 1½ 2 2½ 3 3t 4 5 6</p>	<p>D Tee</p>  <p>Ukuran 1½ 2 2½ 3 4 5</p>	<p>D Elbow 45°</p>  <p>Ukuran 3 4</p>	<p>D Tee Y 90°</p>  <p>Ukuran 3 4</p>	<p>D Tee Y 45°</p>  <p>Ukuran 3 4</p>
---	--	---	---	--	---	---

BALL VALVE

uPVC ADHESIVE

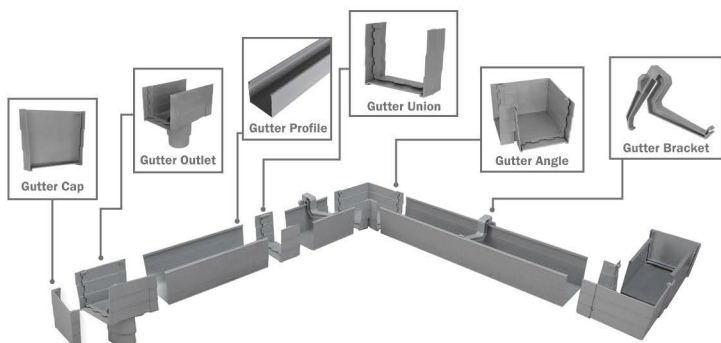
FLOOR DRAIN 18 GRILLE

 <table border="1"> <tr> <th>Ukuran (inch)</th> </tr> <tr> <td>½</td> </tr> <tr> <td>¾</td> </tr> <tr> <td>1</td> </tr> <tr> <td>1¼</td> </tr> <tr> <td>1½</td> </tr> <tr> <td>2</td> </tr> </table>	Ukuran (inch)	½	¾	1	1¼	1½	2	 <p>Lem Tangit Std Pressure All Pressure</p>	 <table border="1"> <tr> <th>Varian Warna</th> </tr> <tr> <td>Grey</td> </tr> <tr> <td>White</td> </tr> </table>	Varian Warna	Grey	White
Ukuran (inch)												
½												
¾												
1												
1¼												
1½												
2												
Varian Warna												
Grey												
White												

PIPAMAS RAIN GUTTER

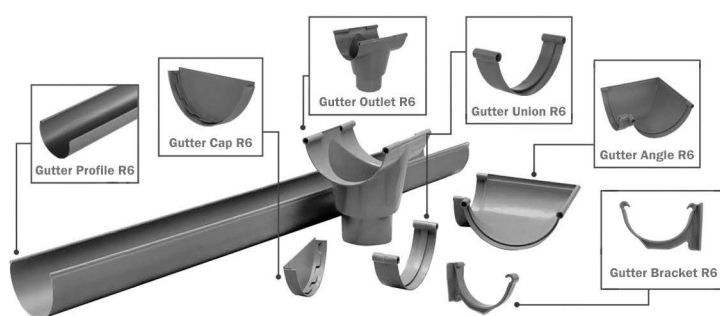
GUTTER 140

Talang Air Kotak



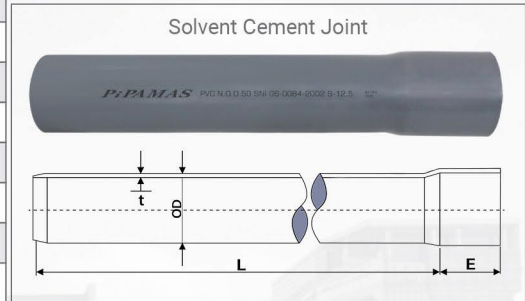
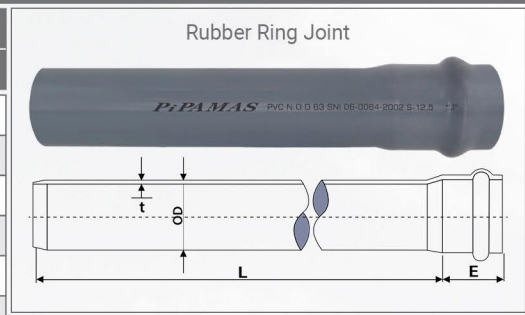
GUTTER R6

Talang Air Bulat



PIPAMAS SNI RRJ & SCJ

Normal Outside Diameter (mm)	Normal Diameter (inch)	Nominal Wall Thickness (mm)			
		S-8	S-10	S-12.5	S-16
20	½	1.2	1.0	0.8	-
25	¾	1.5	1.2	1.0	-
32	1	1.9	1.6	1.3	-
40	1¼	2.4	1.9	1.6	-
50	1½	3.0	2.4	2.0	1.6
63	2	3.8	3.0	2.4	2.0
75	2½	4.5	3.6	2.9	2.3
90	3	5.4	4.3	3.5	2.8
110	4	6.6	5.3	4.2	3.4
160	6	9.5	7.7	6.2	4.9
200	8	11.9	9.6	7.7	6.2
250	10	14.8	11.9	9.6	7.7
315	12	18.7	15.0	12.1	9.7



PIPAMAS DRAINAGE RRJ & SCJ



Class	Nominal Diameter		Outside Diameter (mm)	Inside Diameter (mm)	Tebal Dinding (mm)	Panjang
	mm	inch				
Class A	75	3	90	86	1.8	6 meter
	25	¾	25	23	1.0	6 meter
	32	1	32	29	1.3	6 meter
	40	1¼	40	34	3.2	6 meter
	50	1½	50	44	3.2	6 meter
Class B	63	2	63	57	3.2	6 meter
	75	3	90	84	3.2	6 meter
	100	4	110	104	3.2	6 meter
	150	6	160	152	4.0	6 meter
	200	8	200	190	4.9	6 meter
	250	10	250	238	6.2	6 meter
	300	12	315	300	7.7	6 meter



Pipamas Conduit	Four Way Box	Coupler	Tee Way Box	Saddle Clip
<div style="border: 1px solid black; padding: 5px; margin-top: 5px;"> <p style="text-align: center;">Ukuran</p> <p style="text-align: center;">16 mm</p> <p style="text-align: center;">20 mm</p> <p style="text-align: center;">25 mm</p> <p style="text-align: center;">*Panjang 2.9 meter</p> </div>				

PT. Pipamas Primasejati

Jl. Soekarno Hatta No. 409 Bandung 40243
Jawa Barat - Indonesia
Telp. 022 522 7799 - 522 8811
Fax. 022 522 5007

*Toleransi ketebalan dinding pipa ± 10%