

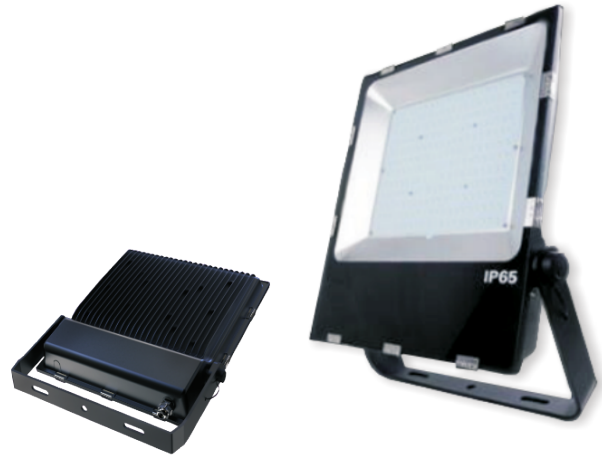
A nighttime photograph of a park or garden path. The path is illuminated by a series of warm, yellow lights strung across the scene. A black metal fence with decorative finials runs along the right side of the path. A single black lamppost with a glowing white light fixture stands prominently on the right. The background shows trees and a building, all softly lit by the ambient light.

OUTDOOR
LIGHTING

LED Flood Light *A Series 10 - 200W*

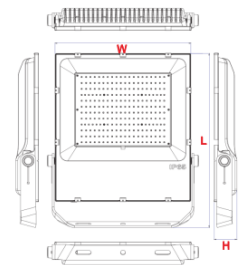
Product Specification

Power	: 10W / 20W / 30W / 50W / 80W / 100W / 150W / 200W
Input Voltage	: AC100-277V
Frequency	: 50-60Hz
Output Voltage	: DC28.8-48V
Housing Material	: ADC12
Light Source	: Philips
LED Power Suplay	: MeanWell
Luminous Efficiency	: 130LM/W (OCT=5000K)
Color Temperature	: 3000k, 4000K, 5000K, 6000K
Beam Angle	: 120°
CRI	: >70Ra
Driver Efficiency	: >90%
LED Junction Temperature	: <75°C(Ta=30°C)
Storage Temperature	: (-40~+70°C)
Operating Temperature	: (-30~+50°C)
PF	: >0.93
Life-Span	: >54.000Hrs(Ta=30°C @L70)
Ingress Protection	: IP 65



Power	L	W	H
10W	166	116	32
20W	217	152	40
30W	227	167	40
50W	311	220	50
80W	355	245	55
100W	403	295	60
150W	430	330	60
200W	470	360	60

Dimension (mm)



LED Flood Light *A Series 200-1000W*



240 W / 300 W



500 W / 600 W



720 W / 1000 W



1000 W

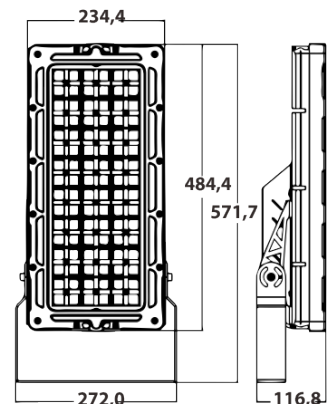
Power Supply Parameters

Driver Brand	: MeanWell
Power Factor	: >0.93
Total Harmonic Distortion	: <15%
Driver Efficiency	: >90%
Output Voltage	: DC24-48V
Power Frequency	: 50~60Hz
Input Voltage	: AC90-305V

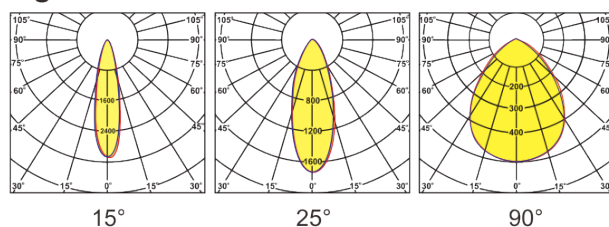
Light Source Parameters

LED Type	: Philips 5050 SMD LED with 8 chips
Luminous Efficiency	: 150lm/W
CCT	: 5000K
CRI	: >70Ra
Beam Angle	: 15°/25°/50°/ 90°
Life-span (L70 Standard)	: 54,000 hours
Ingress Protection	: IP 65

Dimension (mm) :



Light Distribution Curve :



LED Garden Light *OS Series*

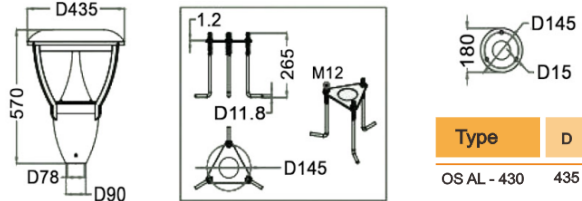


OS AL - 430

Product Specification

- Lamp : Osram LED
- Housing & Top : Die Cast Aluminium
- Cover : Acrylic Diffuser Clear
- Finishing : Electrostatical Powder Coated
- Ingress Protection : IP 20
- 3x22.5W to replace 1x70W QMH / HPS
- 3x33.5W to replace 1x150W QMH / HPS

Dimension (mm)



Equipment

Type	Light Output	Lamp Wattage	Modul Efficacy	Color Temp	CRI	Lifetime	T-case	Driver
	lm	W	lm/W	K	Ra	hrs	°C	
PL-CN111-G2 1500	1500	17	88	2700 , 3000 , 4000	90	50.000	85	Ote 25/220-240/700 CS
PL-CN111-G2 2400	2400	22	109	2700 , 3000 , 4000	90	50.000	85	Ote 25/220-240/700 CS
PL-CN111-G2 3600	3600	32	112	2700 , 3000 , 4000	900	50.000	85	Ote 25/220-240/700 CS

LED Garden Light *Bollard Series*

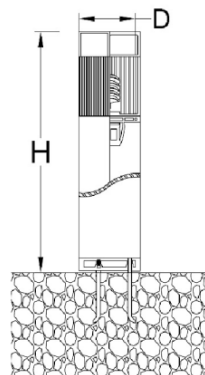


SK - BOL - 1204 SK - BOL - 1205 SK - BOL - 1206 SK - BOL - 1207

Product Specification

- Lamp : Compact Fluorescent Lamp Integrated or Non Integrated
- Housing : Die Cast Aluminium
- Finishing : Polyester Powder Coated
- Cover : Aluminium Die Cast
- Ingress Protection : IP 20

Dimension (mm)



Type	D	H
SK-BOL 1204	120	850
SK-BOL 1205	120	850
SK-BOL 1206	120	850
SK-BOL 1207	120	850

Equipment

Model	Recommended Lamp	Lamp Holder
SK - BOL - 1204	Essential, 18W - 23W	E27
	PL-C, 18W - 26W	G24d
SK - BOL - 1205	Essential, 18W - 23W	E27
	PL-C, 18W - 26W	G24d
SK - BOL - 1206	Essential, 18W - 23W	E27
	PL-C, 18W - 26W	G24d
SK - BOL - 1207	Essential, 18W - 23W	E27
	PL-C, 18W - 26W	G24d