
LED COMFO® Spot Light V3

Datasheet



LED COMFO® Spot Light V3 is a small size spotlight with the new industrial design and optimized optical design, it provides excellent accent lighting effect with various power option 3W, 6W and 8W. LED COMFO® Spot Light V3 is the perfect replacement for traditional MR11/MR16 lamps.

Benefits

Classic ID design, precise illumination

- Classic and simple ID design suits all decoration styles
- Optimized optical design brings excellent accent lighting effect
- Imported LED provides consistent color temperature
- Accurate angle control on reflector to offer 30° beam angle

Outstanding performance and high reliability

- External driver offers high quality and reliability
- 30,000 hours lifetime
- 1KV surge protection to defend more harsh electrical environment

Full solution for different applications

- Body $\pm 20^\circ$ tiltable
- Full power range 3W/6W/8W
- CCT 3000K/4000K/6500K

Applications

- Commercial buildings
- Retail stores
- Shopping malls
- Lobby and corridor

LED COMFO® Spot Light V3

Technical Data

Optical Specifications

		3W	6W	8W
Luminous Flux	3000K	200 lm	400 lm	540 lm
	4000K	220 lm	450 lm	580 lm
	6500K	220 lm	450 lm	580 lm
Efficacy	3000K	65 lm/W	67 lm/W	70 lm/W
	4000K	73 lm/W	75 lm/W	75 lm/W
	6500K	73 lm/W	75 lm/W	75 lm/W
CCT		3000K, 4000K, 6500K		
CRI		>80		
SDCM		5		
Beam Angle		30°		

Electrical and Mechanical Specifications

Input Voltage		220-240V AC 50/60Hz		
Power Consumption		3W	6W	8W
Power Factor		>0.5		
Total Harmonic Distortion		<20%		
Surge Protection		Line-to-line 1KV		
Dimensions	Diameter	95mm	95mm	106mm
	Height	46mm	46mm	53mm
Cut-out		68-80mm	68-80mm	78-90mm
Weight		90g	90g	110g
Reflector		PC		
Housing		PBT		

System Specifications

Power	AC line
Control	ON/OFF
Installation	Recessed mounting
Operating Temperature	-20°C to +35°C
Storage Temperature	-30°C to +80°C
Environment	Indoor (IP20)
Lumen Maintenance	L70 @25°C - 30,000hrs
Safety Approval	Electrical Protection Class II, CB, CCC, Photo-biological safety, RoHS

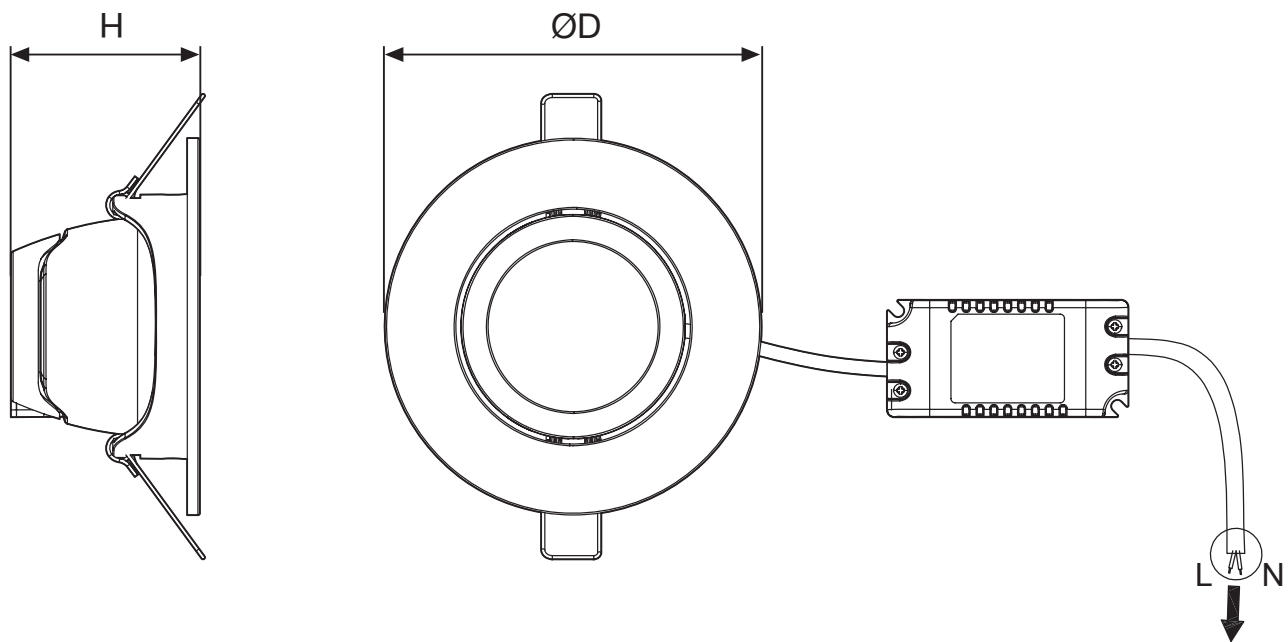
Due to the special conditions of manufacturing process of LED, the typical data of technical parameters can only reflect statistical figures and do not necessarily correspond to the actual parameters of each single product which could differ from typical data.

Exceeding maximum ratings for operation voltage will cause hazardous overload and will likely destroy the LED module.

Exceeding maximum ratings for operation and storage temperature will reduce expected life time or destroy the LED module.

LED COMFO® Spot Light V3

Dimensions



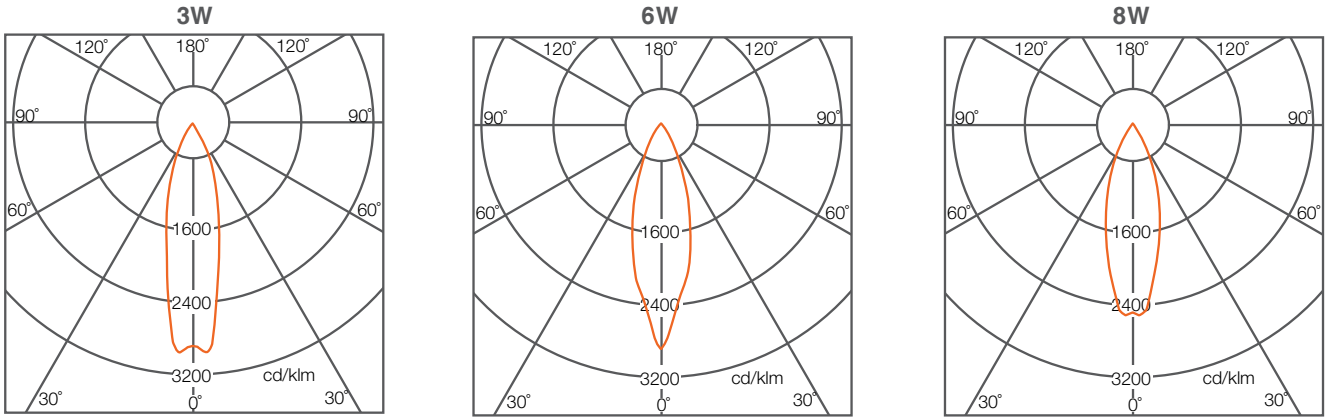
Dimensions

	3W	6W	8W
ØD	95mm	95mm	106mm
H	46mm	46mm	53mm

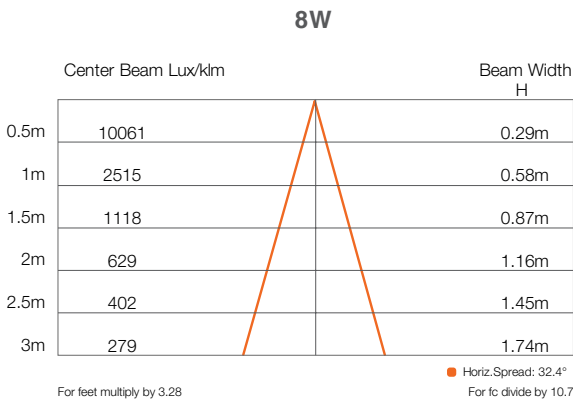
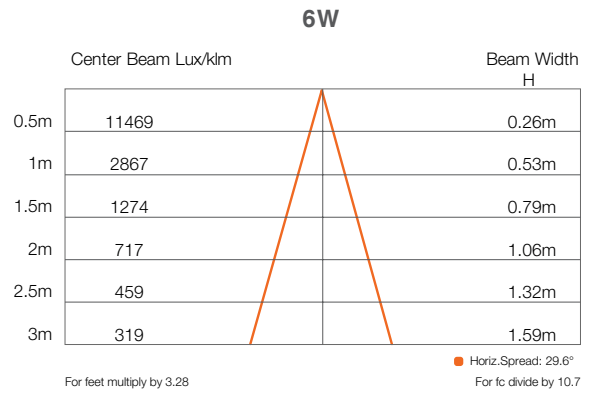
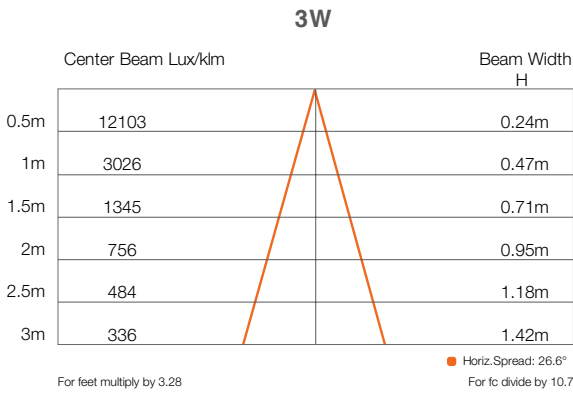
LED COMFO® Spot Light V3

Photometrics

Light Distribution Curve



Illuminance at a distance



Due to the manufacturing processes of LED, the polar candela distribution and distance luminaries only reflect statistical figures and do not necessarily correspond to the actual parameters of individual product that may differ from the typical values.

LEDCOMFO® Spot Light V3

Ordering Codes

Fixture

Short Text	Power	CCT	Beam Angle	Material	EAN10	EAN40
LCM SL 3W 830 V3 16X3 OSRAM	3W	3000K	30°	AM193230055	4062172025041	4062172025058
LCM SL 3W 840 V3 16X3 OSRAM	3W	4000K	30°	AM193240055	4062172025089	4062172025096
LCM SL 3W 865 V3 16X3 OSRAM	3W	6500K	30°	AM193250055	4062172025102	4062172025119
LCM SL 6W 830 V3 16X3 OSRAM	6W	3000K	30°	AM193260055	4062172025140	4062172025157
LCM SL 6W 840 V3 16X3 OSRAM	6W	4000K	30°	AM193270055	4062172025164	4062172025171
LCM SL 6W 865 V3 16X3 OSRAM	6W	6500K	30°	AM193280055	4062172025225	4062172025232
LCM SL 8W 830 V3 16X3 OSRAM	8W	3000K	30°	AM193290055	4062172025249	4062172025256
LCM SL 8W 840 V3 16X3 OSRAM	8W	4000K	30°	AM193300055	4062172025263	4062172025270
LCM SL 8W 865 V3 16X3 OSRAM	8W	6500K	30°	AM193310055	4062172025287	4062172025294
LCM SL 3W 830 IN V3 16X3 OSRAM	3W	3000K	30°	AM193320055	4062172025300	4062172025317
LCM SL 3W 840 IN V3 16X3 OSRAM	3W	4000K	30°	AM193330055	4062172025324	4062172025331
LCM SL 3W 865 IN V3 16X3 OSRAM	3W	6500K	30°	AM193340055	4062172025348	4062172025355
LCM SL 6W 830 IN V3 16X3 OSRAM	6W	3000K	30°	AM193350055	4062172025362	4062172025379
LCM SL 6W 840 IN V3 16X3 OSRAM	6W	4000K	30°	AM193360055	4062172025386	4062172025393
LCM SL 6W 865 IN V3 16X3 OSRAM	6W	6500K	30°	AM193370055	4062172025409	4062172025416
LCM SL 8W 830 IN V3 16X3 OSRAM	8W	3000K	30°	AM193380055	4062172025423	4062172025430
LCM SL 8W 840 IN V3 16X3 OSRAM	8W	4000K	30°	AM193390055	4062172025447	4062172025454
LCM SL 8W 865 IN V3 16X3 OSRAM	8W	6500K	30°	AM193400055	4062172025461	4062172025478