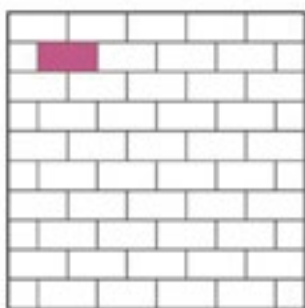
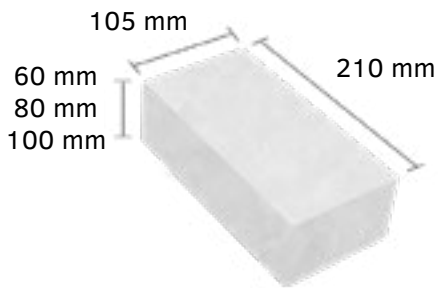


# Paving Block

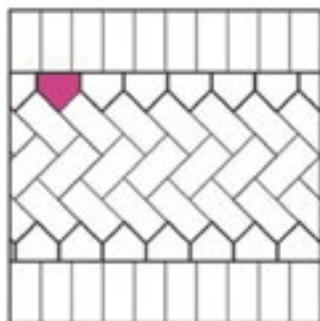
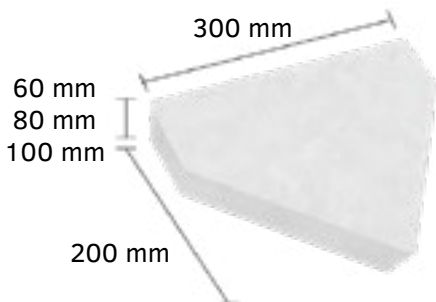


# PAVING BLOCK

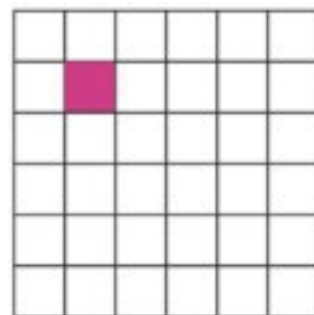
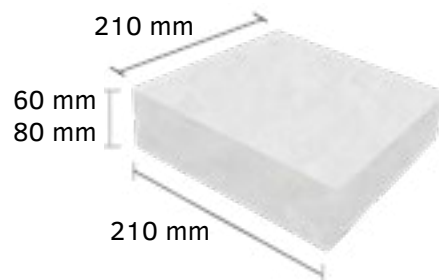
**Persegi panjang**



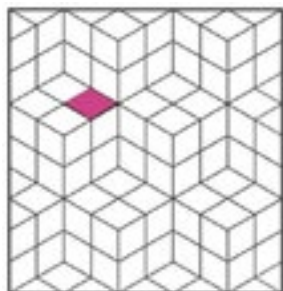
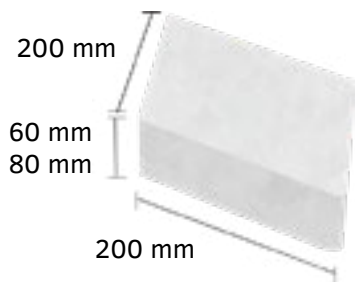
**Topi Uskup**



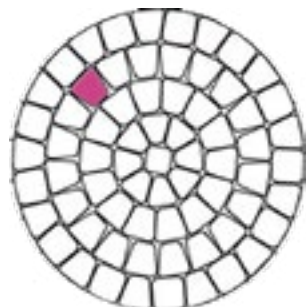
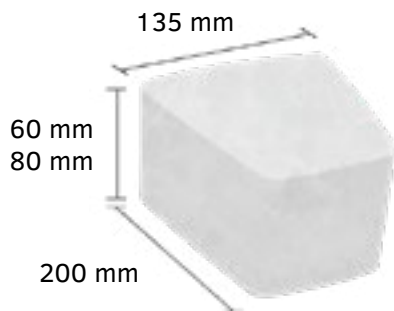
**Corso**



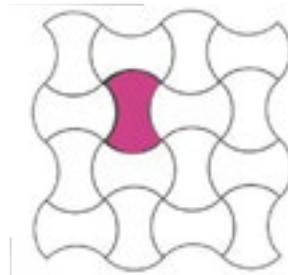
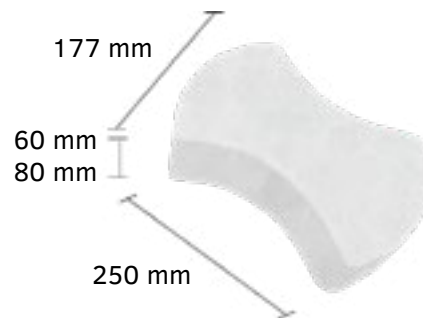
**Rombo**



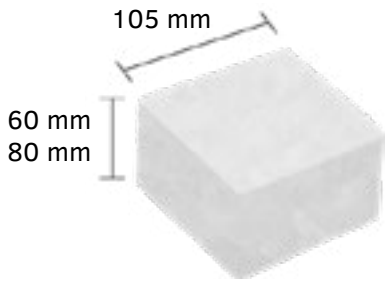
**Classico**



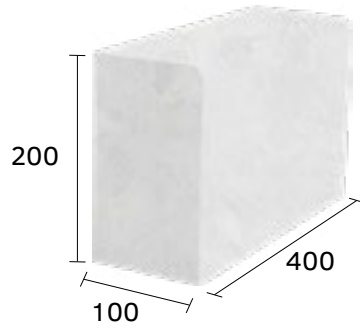
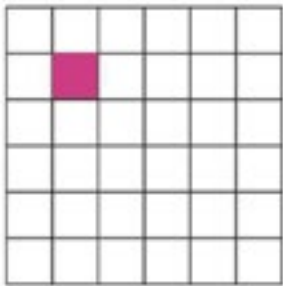
**X3 / Kampak**



**Paving Block 1/2**

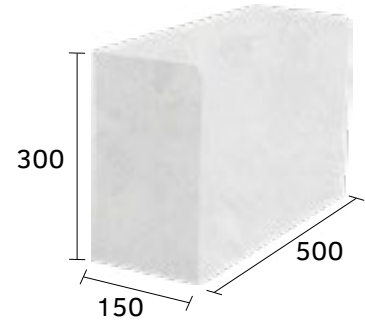


**86 pcs / m<sup>2</sup>**



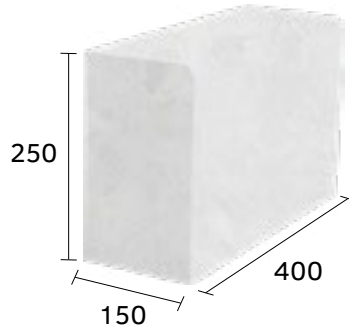
**Kanstin 10.20.40**

**2.5 pcs / m<sup>1</sup>**



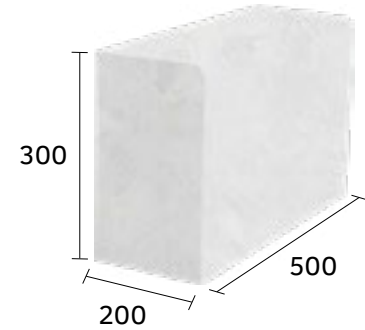
**Kanstin 15.30.50**

**2 pcs / m<sup>1</sup>**



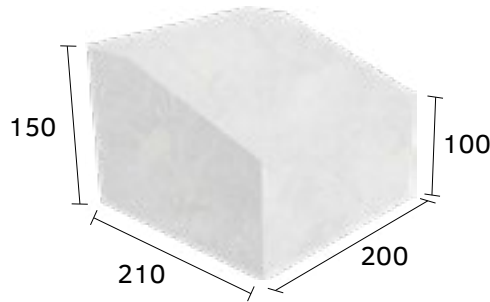
**Kanstin 15.25.40**

**2.5 pcs / m<sup>1</sup>**



**Kanstin 20.30.50**

**2 pcs / m<sup>1</sup>**



**Kanstin IV 20**

**5 pcs / m<sup>1</sup>**